

Sanitaryware Stools Pressed

Sheet I - Revision 1 - 04/06

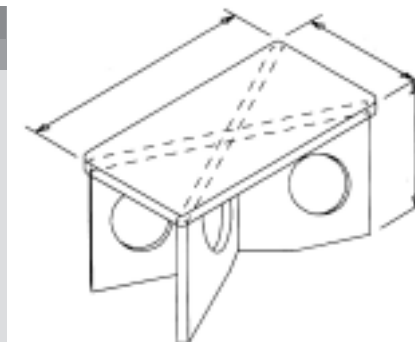
Pressed Sanitaryware Stools



Sanitaryware Stools are used to vary the placing height of a fixed car deck to enable sanitaryware products to rest vertically, thereby making optimum use of the available placing area.

Crossed-Legged Stools

TOP			
Reference	Size (mm)	No. of Holes	Description
4138/21	584 x 254	1	Ribbed
4138/11k	584 x 254	5	Ribbed
4138/22	559 x 273		Ribbed
4138/29	559 x 273	4	Ribbed
4138/10	559 x 273	5	Plain
4138/18	559 x 273	3	Plain
4138/20	559 x 273	3	Ribbed
4138	559 x 254	5	Ribbed
4138/8	559 x 254	5	Plain
4138/30	234 x 254	1	Plain
4138EX	534 x 254		Plain
AMD2391/83/A	533 x 273		Plain
4138/23	508 x 229	4	Ribbed
4138/19	495 x 267		Ribbed
4138/31	483 x 254	5	Ribbed



Reference	Length (mm)	Height (mm)
4138/1	534	159
4138/25	534	210
(4138/2)		
4138/4	534	235
(4138/26)		
4138/3	534	279
(4138/27)		
4138/17	534	133
4138/28	534	254
AMD2391/83/A	534	279
AMD6531/93	534	279
4138/7	480	310
4138/24	484	261
4138/32	457	235

